

STAINLESS STEEL LIQUID FILTRATION HOUSING.

Donaldson® P-FG filter housings are designed for filtration of liquids such as process water, mineral water, beer, wine, soft drinks, juice and other liquids.

Donaldson's standard P-FG is built using 304 stainless steel. It is mill finished inside with a two-part paint exterior. The housing is equipped with two pressure gauges and either FNPT or Flanged connections, depending on the housing size. The housing is equipped with a vent and clean and dirty drain ports. All housings are built to accept Code 7 filter elements using 226 o-rings, bayonet locking tabs and locating fins. Our broad selection of filter elements will meet the requirements of your process.

P-FG filter housings are also available in 316 stainless steel as well as with ASME. Our seven standard sizes offer a wide range of capacity depending on element selection. Custom housings are available upon request.

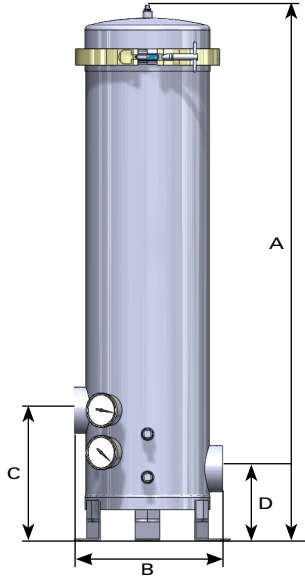


P-FG

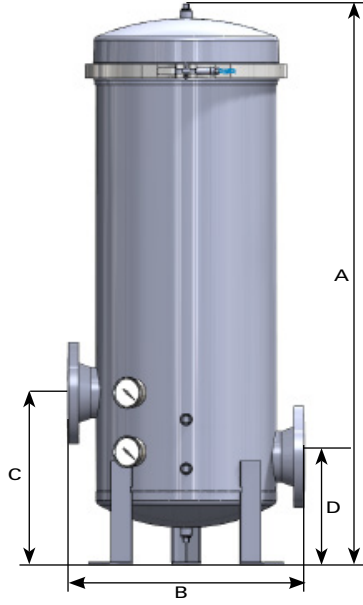
TECHNICAL DATA

| | |
|--------------------------------|--|
| Housing Material | 304L SS (316 SS available upon request) |
| Gasket Material | EPDM (other gasket materials are available upon request) |
| Max. Operating Pressure | 150 psig at 300°F (with EPDM gaskets) |
| Max. Inlet Temperature | Up to 300°F |
| Connection Types | FNPT and Flange, depending on size |
| Inner Surface Finish | Mill Finish Stainless Steel |
| Outer Surface Finish | Bead Blast |

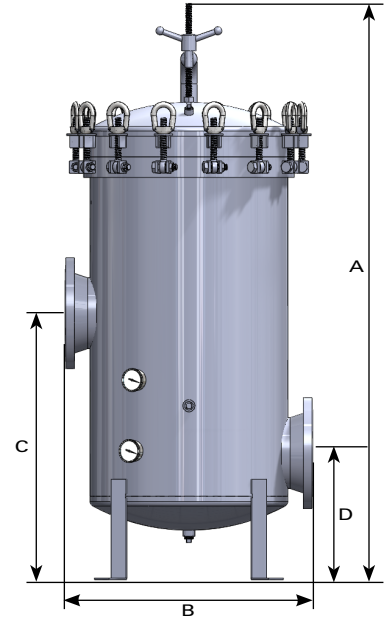
DIMENSIONS & SPECIFICATIONS



P-FG 0050 – 0250



P-FG 0450



P-FG 0700 & 1000

| Model Number | Closure | Capacity (gpm) | Connection | Dimensions (inches) | | | | | Weight w/o Element (lbs) | Element | |
|--------------|-----------------|----------------|----------------|---------------------|-------------------|--------------|------------|-----------|--------------------------|---------|------|
| | | | | Height (A) | Width ± 0.250 (B) | Conn. Height | | Clearance | | Size | Qty. |
| | | | | | | Inlet (C) | Outlet (D) | | | | |
| P-FG 0050 | Clamp | 50 | 2" FNPT | 33.1 | 9.9 | 9.5 | 5.5 | 23 | 33 | 20/30 | 4 |
| P-FG 0100 | Clamp | 100 | 2" FNPT | 43.1 | 9.9 | 9.5 | 5.5 | 33 | 41 | 30/30 | 5 |
| P-FG 0150 | Clamp | 150 | 3" FNPT | 42.9 | 12.3 | 10.6 | 5.8 | 33 | 65 | 30/30 | 7 |
| P-FG 0250 | Clamp | 250 | 3" FNPT | 49.6 | 14.3 | 15.4 | 10.0 | 33 | 92 | 30/30 | 12 |
| P-FG 0450 | Clamp | 450 | 4" ANSI Flange | 49.2 | 21.0 | 15.3 | 9.6 | 33 | 146 | 30/30 | 21 |
| P-FG 0700 | Swing Bolt Only | 700 | 6" ANSI Flange | 68.9 | 25.8 | 32.4 | 14.0 | 33 | 336 | 30/30 | 32 |
| P-FG 1000 | Swing Bolt Only | 1,000 | 8" ANSI Flange | 70.0 | 30.0 | 32.4 | 15.4 | 33 | 581 | 30/30 | 50 |



Donaldson Company, Inc.
 Compressed Air and Process Filtration
 PO Box 1299
 Minneapolis, MN
 55440-1299 U.S.A.

Tel 800-543-3634 (USA)
 Tel 800-343-3639 (within Mexico)
 Fax 952-885-4791
 processfilters@donaldson.com
donaldsonprocessfilters.com

