



P-BE

TANK VENT FILTER HOUSINGS

Compressed Air & Process Filtration

Filter housings for out breathing and make-up air filtration on sterile storage tanks or transport vessels.

Donaldson® P-BE vent filter housings are developed for sterile ventilation of stationary and mobile storage tanks used in food, beverage, pharmaceutical, chemical and other industries.

The P-BE tank vent filter is available in 12 sizes with flow rates ranging from 1 to 1,200 cfm (at ambient pressure).

CHOOSE THE FILTER TO SUIT YOUR APPLICATION

The P-BE vent filter housings are usually used in conjunction with our P-SRF N process sterile air filter element to ensure sterile ventilation with very little pressure drop or air resistance. It can also be used with other filter elements, such as Teflon membrane or pleated stainless steel, to meet your specific requirements.



P-BE

SPECIFICATIONS

MATERIALS	
Filter Housings	Models 0006-0192:316L SS standard (304 SS optional)
	Models 0432-1920:304 SS standard (316L SS optional)
Attachment Parts	304 SS

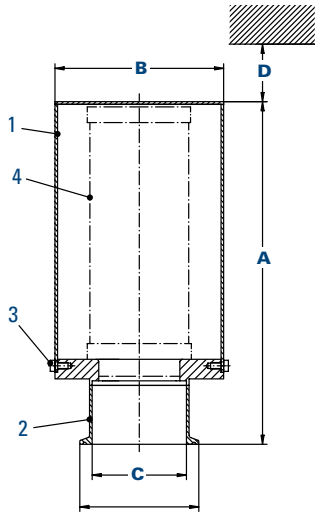
MAXIMUM OPERATING TEMPERATURE
390°F

SURFACE FINISH	
All Models	Polished to Ra 63

CONNECTION TYPES	
Models 0006-0192	Tri-Clamp Connection
Models 0432-1920	ANSI Flange

DIMENSIONS

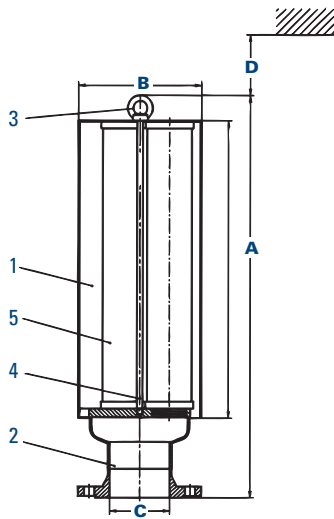
Vent Filter with Tri-Clamp Connection



Position	Qty	Description
1	1	upper housing bowl
2	1	lower housing bowl
3	3	socket head screw
4	1	filter element

Size	Capacity ¹ (scfm)	Capacity (gpm)	Weight* (lb)	Dimensions (inches)				Element	
				A	B	C	D	Qty	Size
0006	10	75	3.3	4.7	3.3	1.5	4	1	03/10
0027	16	120	4.8	7.1	4.1	1.5	6.1	1	05/25
0032	24	180	5.3	7.1	4.5	2	6.1	1	05/30
0072	49	365	7.3	12.2	5.1	2	11	1	10/30
0144	102	765	20.3	22.8	5.1	3	22.8	1	20/30
0192	152	1,140	25.6	32.7	5.1	3	33.5	1	30/30

Vent Filter with ANSI Flange Connection



Position	Description
1	upper housing bowl
2	lower housing bowl
3	lifting eye screw
4	anchor bolt
5	filter element

Size	Capacity ¹ (scfm)	Capacity (gpm)	Weight* (lb)	Dimensions (inches)				Element	
				A	B	C**	D	Qty	Size
0432	247	1,850	41	29	8.7	4	24	3	20/30
0576	371	2,780	46	39	8.7	4	33	3	30/30
0768	494	3,700	50	39	10.8	4	33	4	30/30
1152	742	5,565	79	39	12.8	6	33	6	30/30
1536	989	7,420	88	39	15.5	6	33	8	30/30
1920	1,183	8,870	114	39	15.5	8	33	10	30/30

¹ Capacity based on P-SRF N filter at 14.7 psia, Δp = 0.6 psid

* Without filter element

** ASME/ANSI, Class 150



Donaldson Company, Inc.
Compressed Air and Process Filtration
PO Box 1299
Minneapolis, MN
55440-1299 U.S.A.

Tel 800-543-3634 (USA)
Tel 800-343-3639 (within Mexico)
Fax 952-885-4791
processfilters@donaldson.com
donaldsonprocessfilters.com



P-BE Tank Vent Filter Housings (12/14)

© 2007 Donaldson Co., Inc. All Rights Reserved. Information in the document is subject to change without notice.
{Contains Donaldson proprietary technology.}